

**Bushing Data:**

Rated Voltage	145	kV
Phase to-earth Voltage	95	kV
Dry Lightning Impulse I, 2/50µs	450	kV
Wet Switching Impulse	350	kV
Wet Power frequency AC	210	kV
Routine test Imin dry 50Hz	210	kV
Rated Current	3150	A
Creepage Distance	2870	mm
Mass	250	kg

**Ordering Data:**

**BUSHING**  
 LF121057 -B / -AB COLOUR AIR INSULATOR  
 BROWN / LIGHT GREY

**OUTER TERMINAL**

LF170 073-A Al	H2 (mm)	D2 (mm)
LF170 073-B Cu	125	60
LF170 073-G Cu/Ag	125	60
OTHER TYPES ON REQUEST	125	60

**END-SHIELD**

LF170 046-U EPOXY INSULATED  
 LF170 046-UP INSULATED WITH 3 mm PRESSBOARD

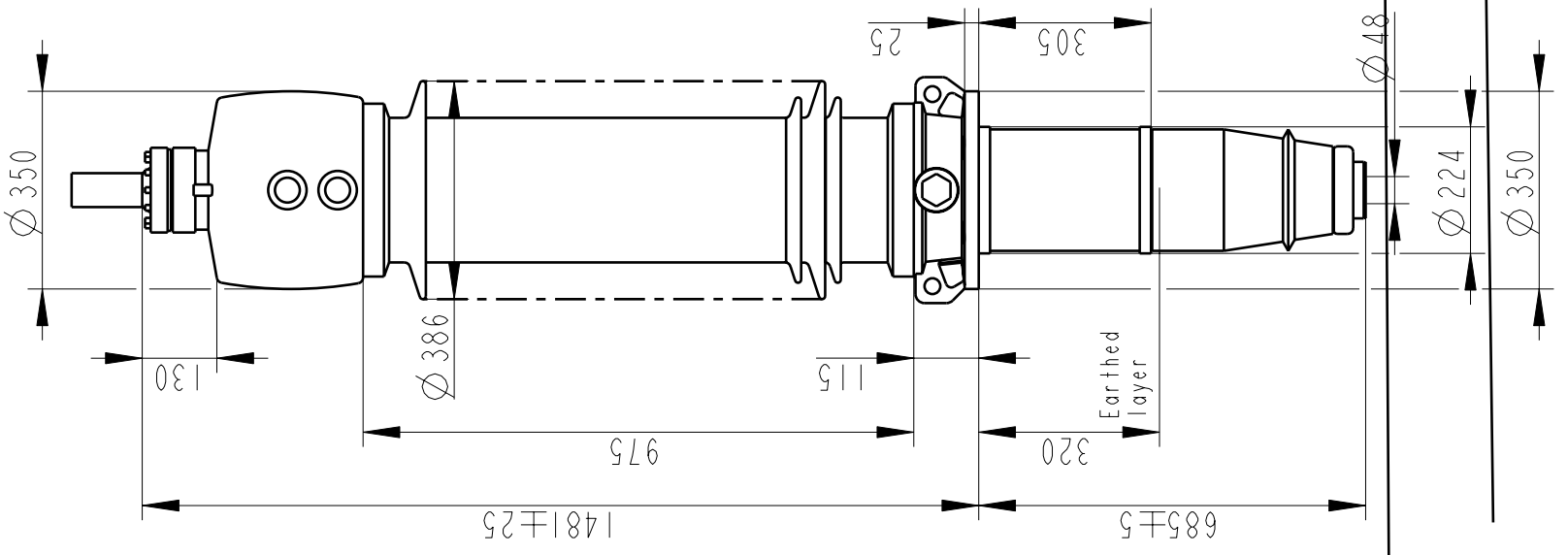
**DRAW ROD SYSTEM**

LF170 059 LOWER DRAW ROD WITH NI=4 OR NI=6  
 LF170 057 UPPER DRAW ROD

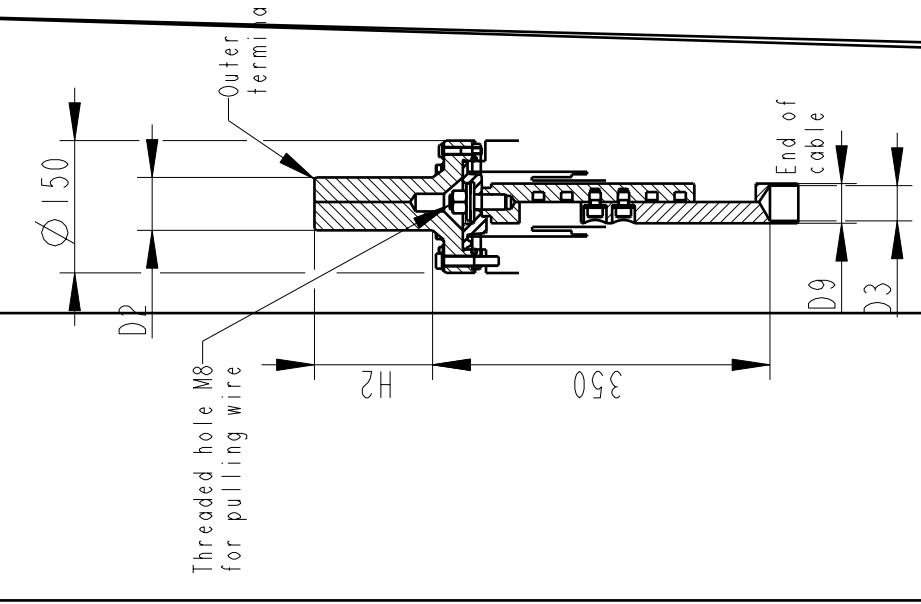
**INNER TERMINAL**

D3 (mm)	D9 (mm)	Cond. area (mm <sup>2</sup> )	Current (A)
LF170 056-E O*)	45	-	IEC
LF170 056-D	45	600	1600
			1360

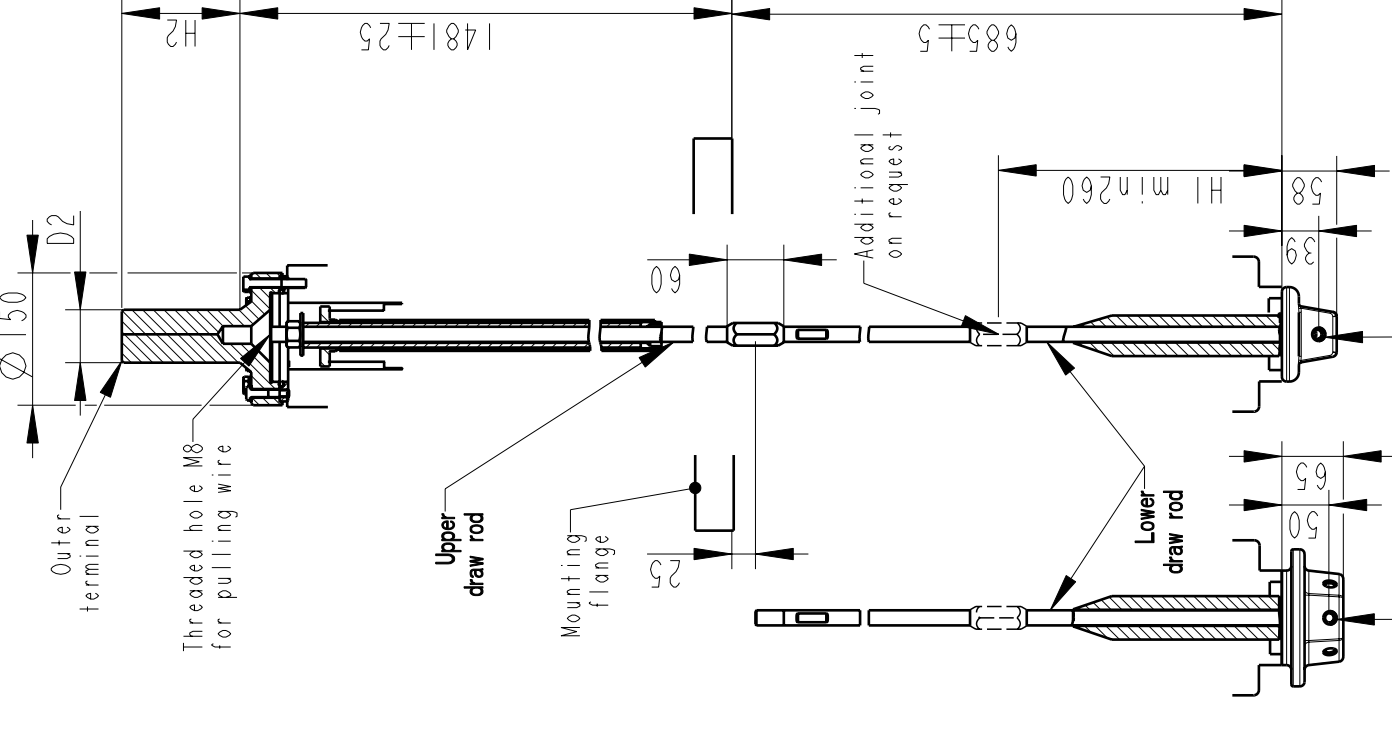
\*) WITH PILOT HOLE D=5



**INNER TERMINAL / OUTER TERMINAL**

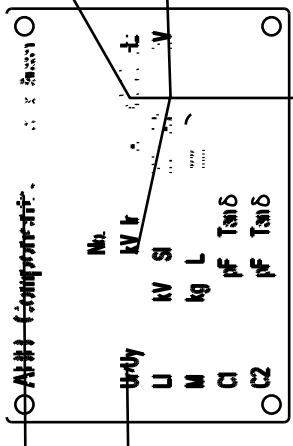
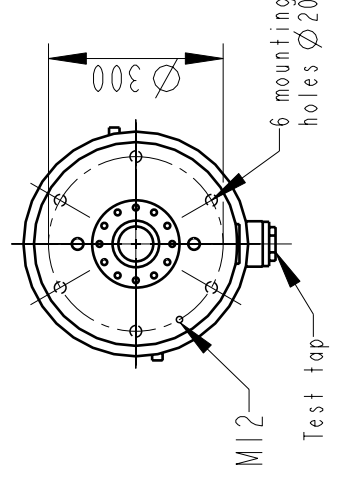
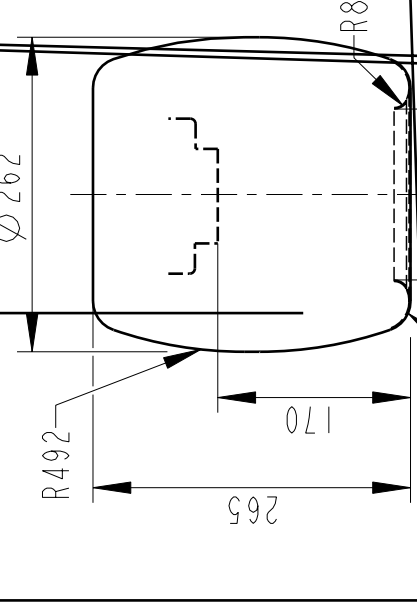


**DRAW ROD SYSTEM / OUTER TERMINAL**



NI=Number of holes M12, equipped with thread insert with screw lock, depth 20, for cable lugs.

**END SHIELD**



Based on	Reg. No.	Title
Prepared	Responsible department	GOE-450-350-3150-0.3
Lövnord	COM/BK 0022	
Approved	Take over department	
Johansson	Database	
Design engineering review		
Gutman		
ABB ABB Components		Document No. 2751369-81